

FALCON® BEAM 2

- Indoor/outdoor xenon searchlight
- Increased brightness
- Reduced size & weight
- Fast zoom effect
- Colour changer
- Integrated electronic power supply
- Exceptionally sturdy and cost effective
- Providing ease of installation and long-term performance integrity

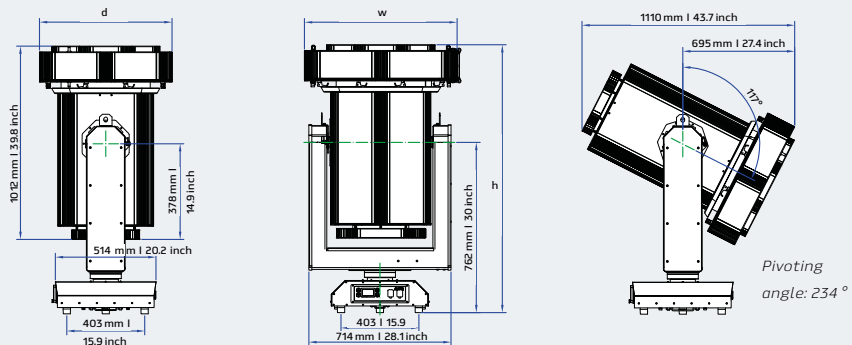
7,000 W

The **FALCON® BEAM 2** is the first choice for demanding illuminations in the fields of entertainment and architectural lighting. With reduced power consumption, swift zoom progressions and the increased speed of its pan and tilt movements the **FALCON® BEAM 2** offers another plus: the compact searchlight takes up very little space for a device of such luminosity. The low maintenance costs and highly efficient optics make the **FALCON® BEAM 2** a must for every lighting design.



Dimensions

h: 1,396 mm | 54.96 inch
 w: 791 mm | 31.1 inch
 d: 686 mm | 27 inch



Technical specifications		FALCON® BEAM 2 7,000 W
Lamp		
Type	Xstage® 7,000 W	
Colour temperature	6,000 K	
Colour changer system		
Colour changer	Gel scroller with up to 13 single colours	
Reflector		
Material	Nickel with high precision electro-shaped dichroic coating	
Diameter	406 mm / 16 inch	
Function		
Main functions	Lamp on / off, hot strike, electronic / mechanical dimmer, electronic strobe, mechanical strobe, zoom, pan / tilt movement 16 bit, reset, colour changer	
Movement	Pan = 500 °, tilt = 234 °	
Control		
Standard DMX protocol	DMX 512 in / out	
DMX channels	13	
Power		
System	Built-in electronic power supply	
Input power (other input voltages on request)	400 VAC 50-60 Hz, balanced, 3-phase	
Max. tolerances	+ 5% / - 5%	
Power consumption	7,500 W, $\cos \varphi > 0.98$	
Temperature		
Operating temperature	- 15 °C up to + 42 °C, non-condensed; 5 °F up to 107.6 °F, non-condensed	
Housing		
Material	Non-corrosive aluminium / stainless steel	
Colour	Standard colour: black, matt, RAL 9005; other RAL-tones possible	
Protection		
Protection rating	IP 54	
Specifications (touring)		
Dimensions h x w x d	1,396 x 791 x 686 mm; 54.96 x 31.1 x 27 inch	
Weight (standard, without clamps and safety chain)	182 kg (401 lb)	

Arts Outdoor Lighting Technology GmbH & Co. KG ■ Arberger Hafendamm 22 ■ 28309 Bremen ■ Germany

■ Fon +49 (0) 421 59 66 09-0 ■ Fax +49 (0) 421 59 66 09-66

■ info@ao-technology.com ■ www.ao-technology.com

■ September 2016 All of the descriptions, illustrations, diagrams and technical details in this folder describe examples of design or construction and they do not form any element of the contract. Text and photographs are the copyright of Arts Outdoor Lighting Technology GmbH & Co. KG. All rights reserved. The right is reserved to make technical alterations.